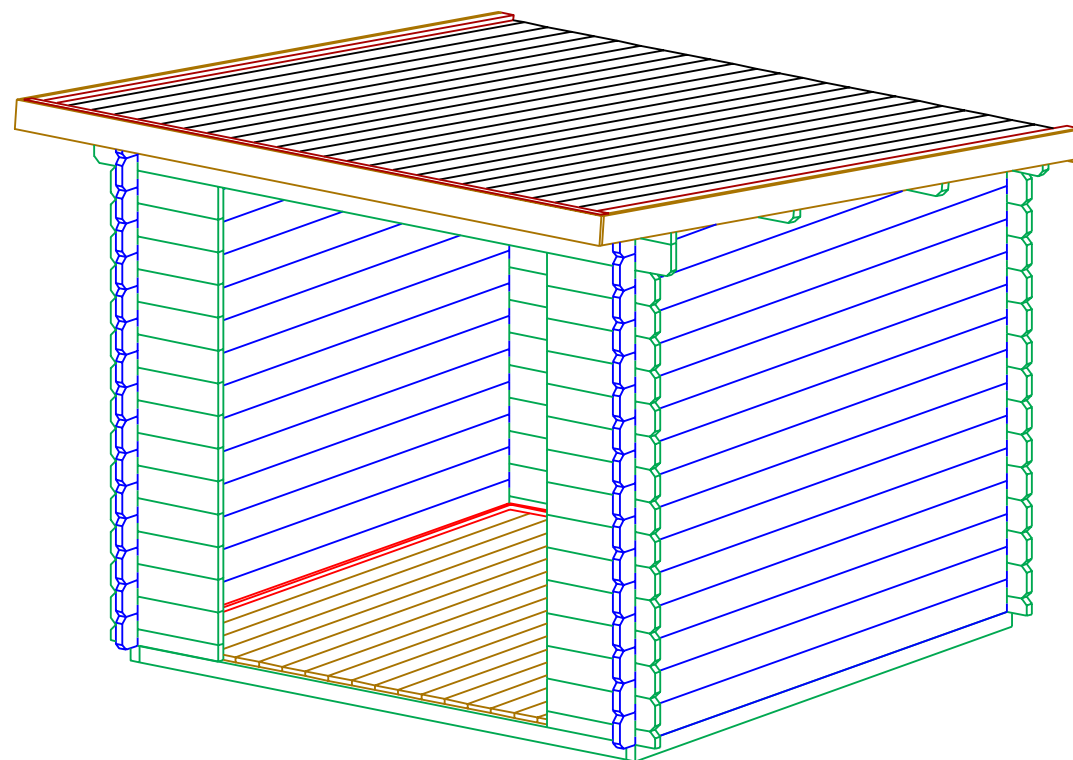
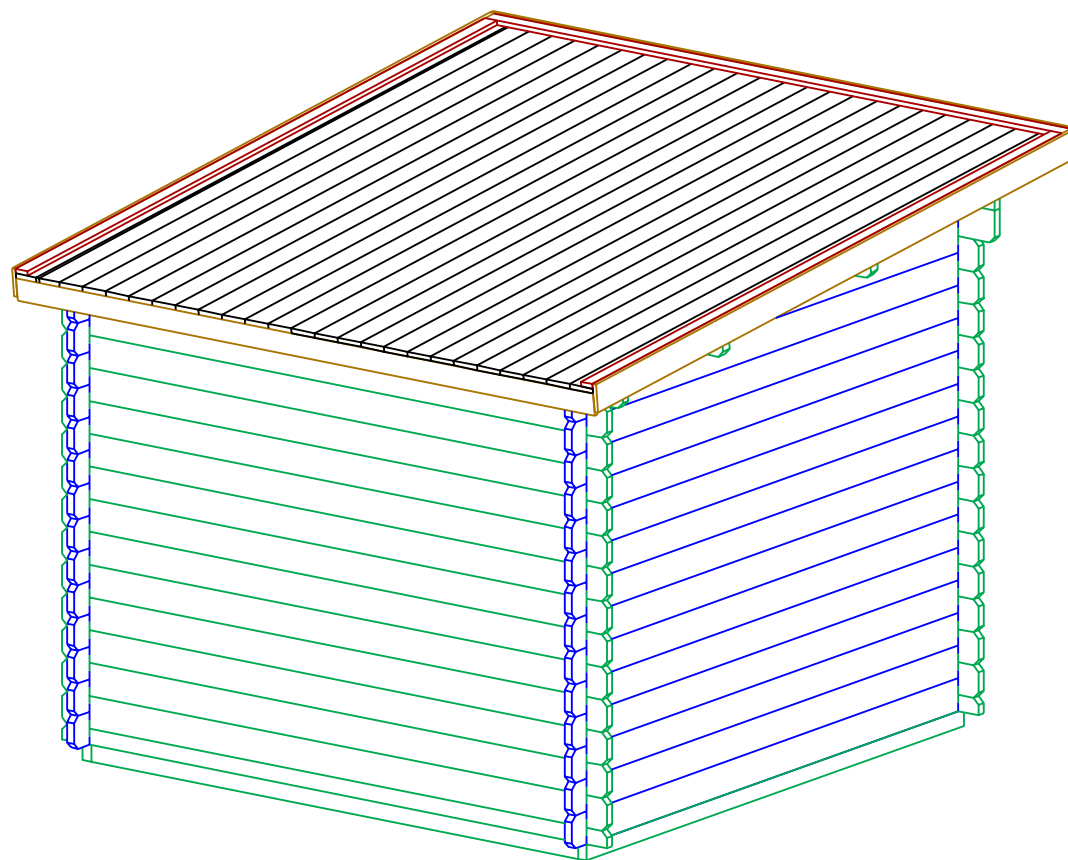


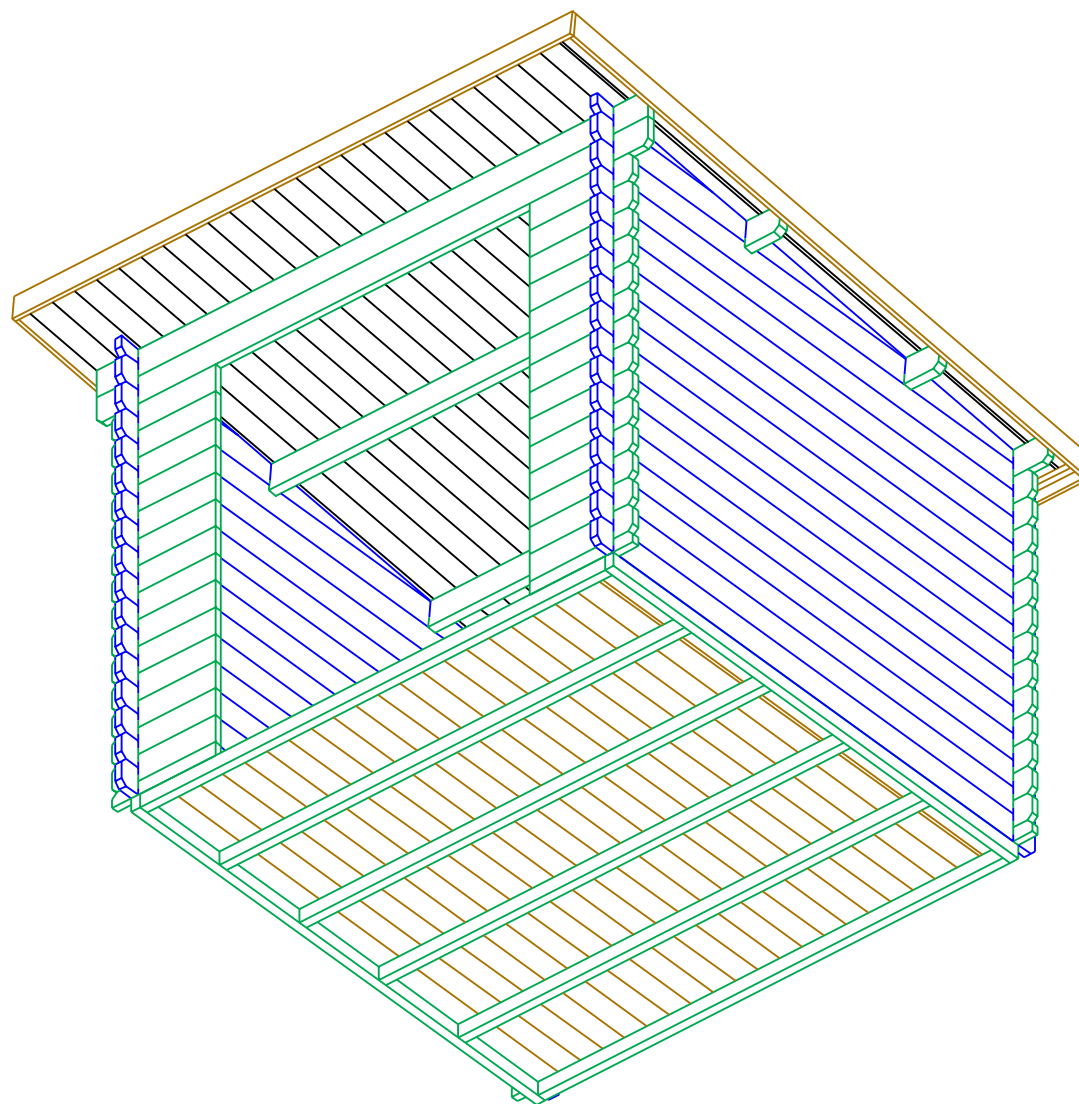
DK 34 2,7x2,7



DK 34 2,7x2,7



DK 34 2,7x2,7



DK 34 2,7x2,7

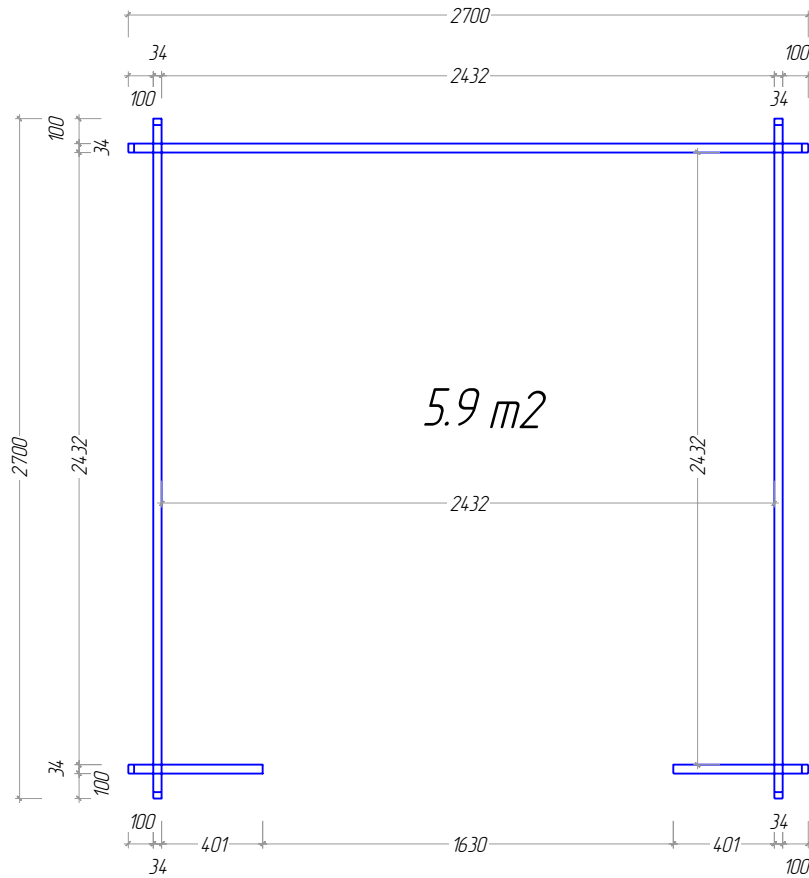
Plan

Стена B
Wand B
Wall B
Mur B

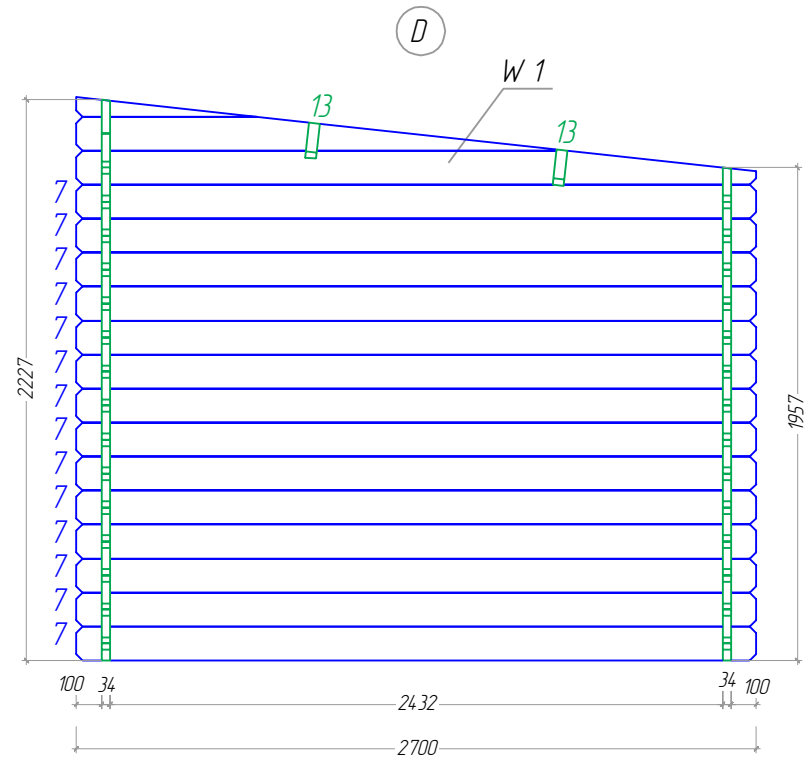
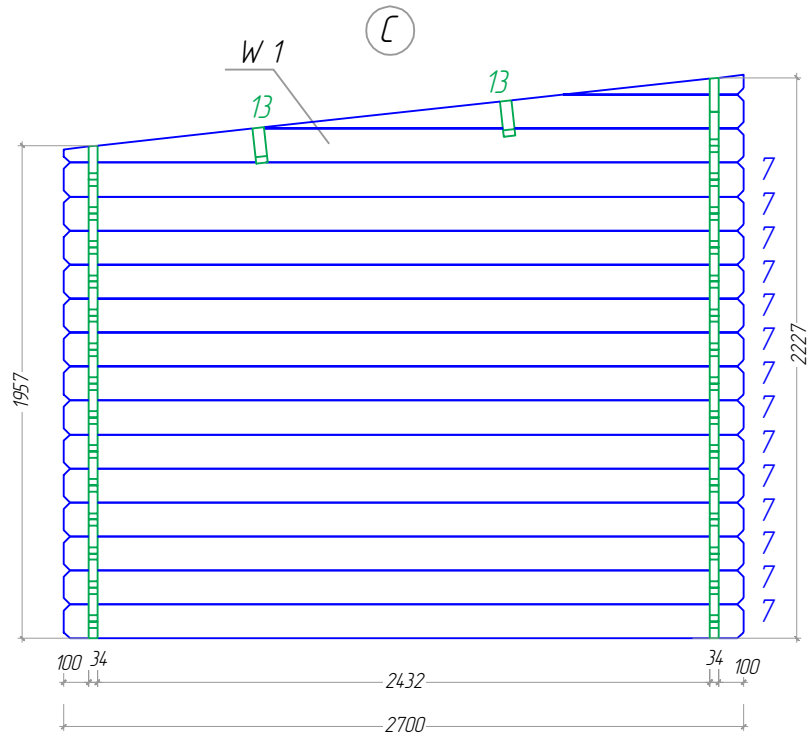
Стена C
Wand C
Wall C
Mur C

Стена D
Wand D
Wall D
Mur D

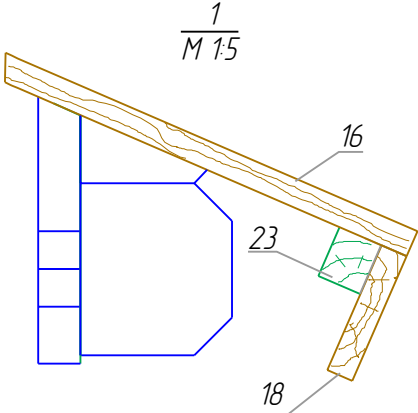
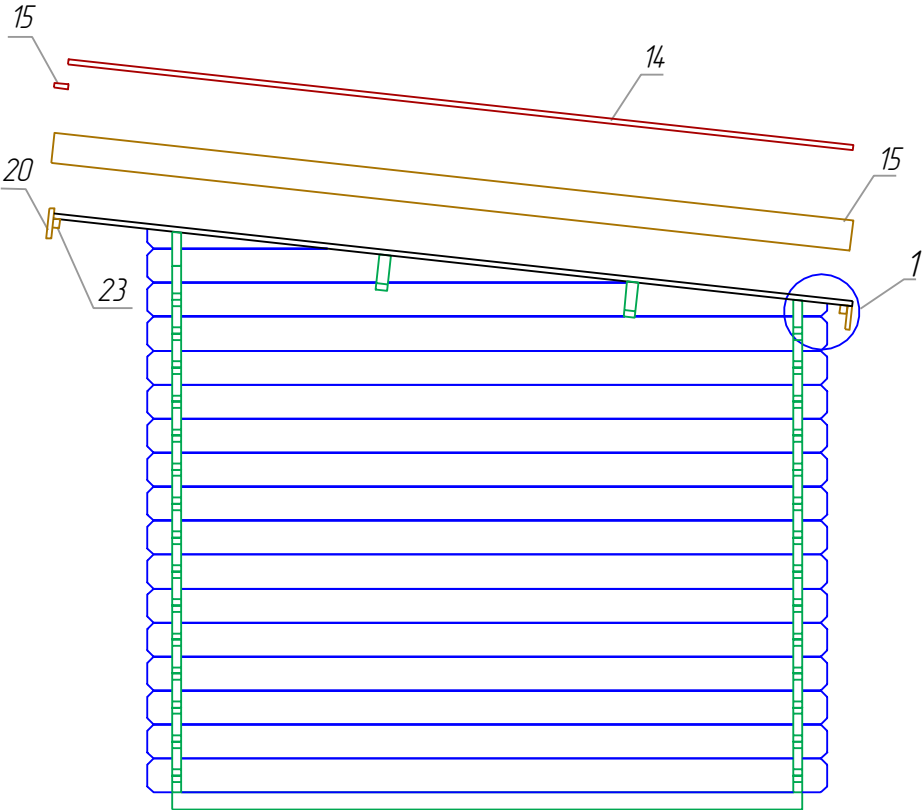
Стена A
Wand A
Wall A
Mur A



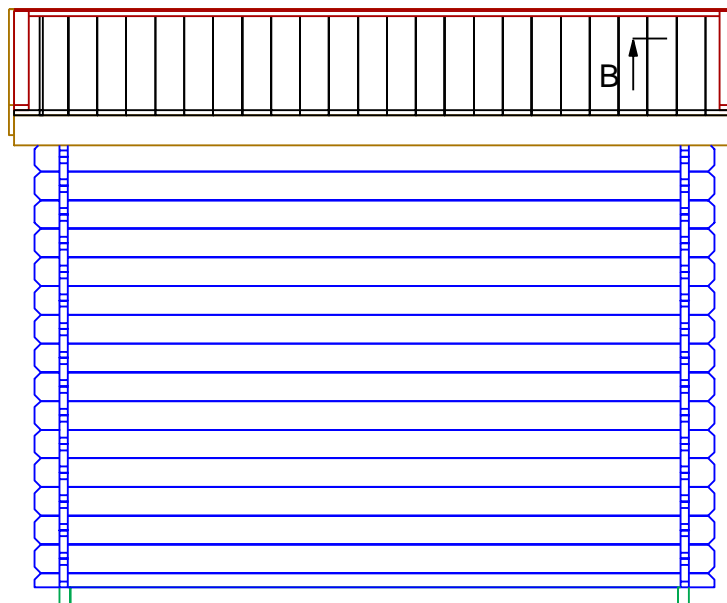
DK 34 2,7x2,7



DK 34 2,7x2,7

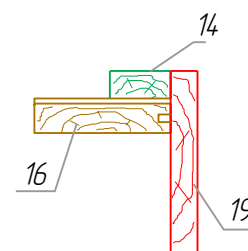


DK 34 2,7x2,7



B

$\frac{B-B}{M 15}$

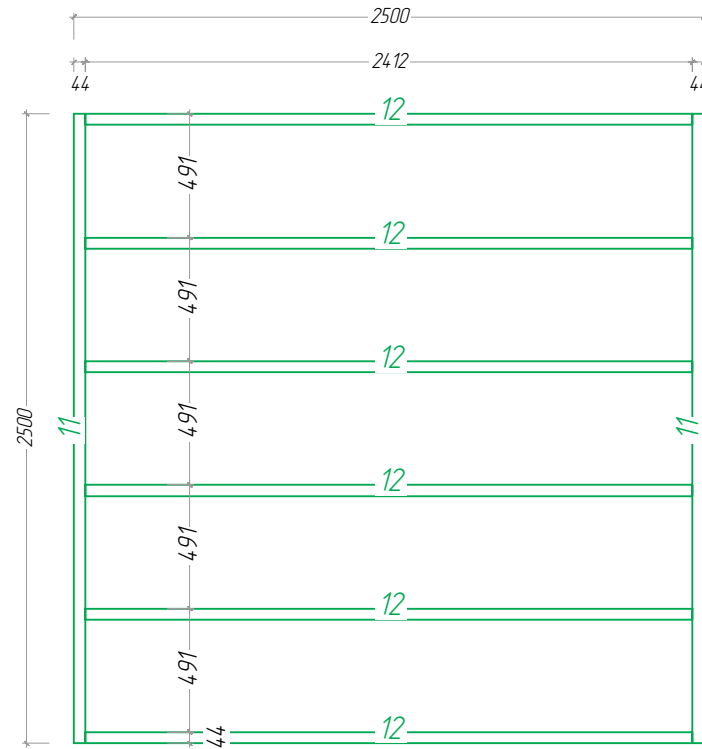


DK 34 2,7x2,7

Boarding joist plan

Trummplan

Lambourde plan

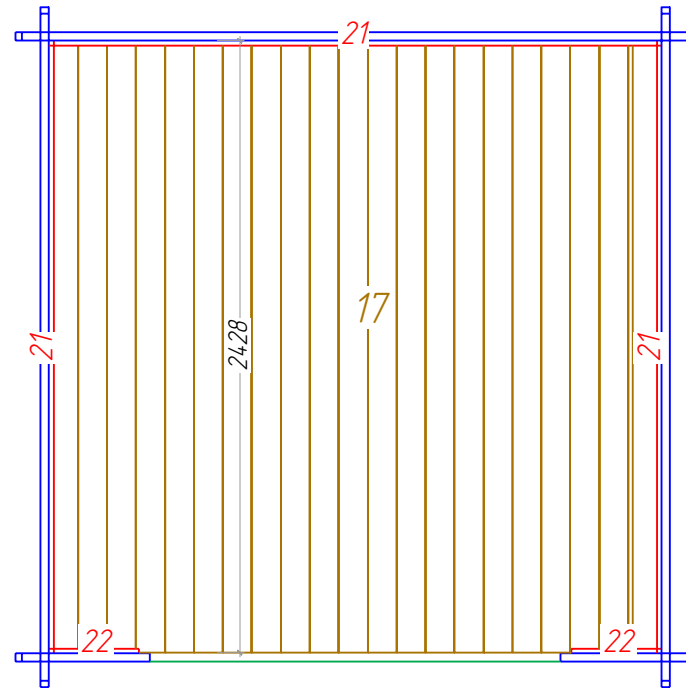


DK 34 2,7x2,7





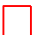


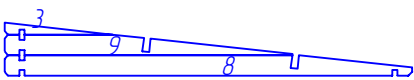
Plan of the floor board

Plan der Furbodenbretter

Le plan des plaches du plancher



Nº	DK 34 2,7x2,7	Nr.	Profile (mm)	Lenght (mm)
1		1	34x67,5	2700mm
2		2	34x67,5	535mm
4		1	34x135	2860mm
5		1	34x135	2860mm
6		1	34x135	2860mm
7		41+1	34x135	2700mm
10		28	34x135	535mm
11	Foundation Fundament Solive 	2	44x68	2500mm
12	Foundation Fundament Solive 	6	44x68	2412mm
13	Roof beam. Dachbalken. Panne 	2	44x140	2860mm
14	Roofing felt fillet Giebelabschlussbrett Latte de finition couverture 	2	20x58	3133mm
15	Roofing felt fillet Giebelabschlussbrett Latte de finition couverture 	1	20x58	2860mm
16	Roof boards Dachbretter Volige 	25+1	20x115	3191mm

N°	DK 34 2,7x2,7	Nr.	Profile (mm)	Lenght (mm)
17	Floor boards Fu ssboden Lame de plancher 	22+1	20x115	2428mm
18	Fascia board Giebelblende Planch de rive facade 	1	18x95	2860mm
19	Fascia board Giebelblende Planch de rive facade 	2	18x120	3191mm
20	Fascia board Giebelblende Planch de rive facade 	1	18x120	2896mm
21	Floor edge trim Fu bleisten Plinthe plancher 	3	20x18	2432mm
22	Floor edge trim Fu bleisten Plinthe plancher 	2	20x18	358mm
23	Roof edge reinforcement Traufenleiste Tasseau 	2	28x34	2860mm
	Door Tur La porte 1958x1630 MM	1		
W1		2		

DK 34 2,7x2,7

W1

