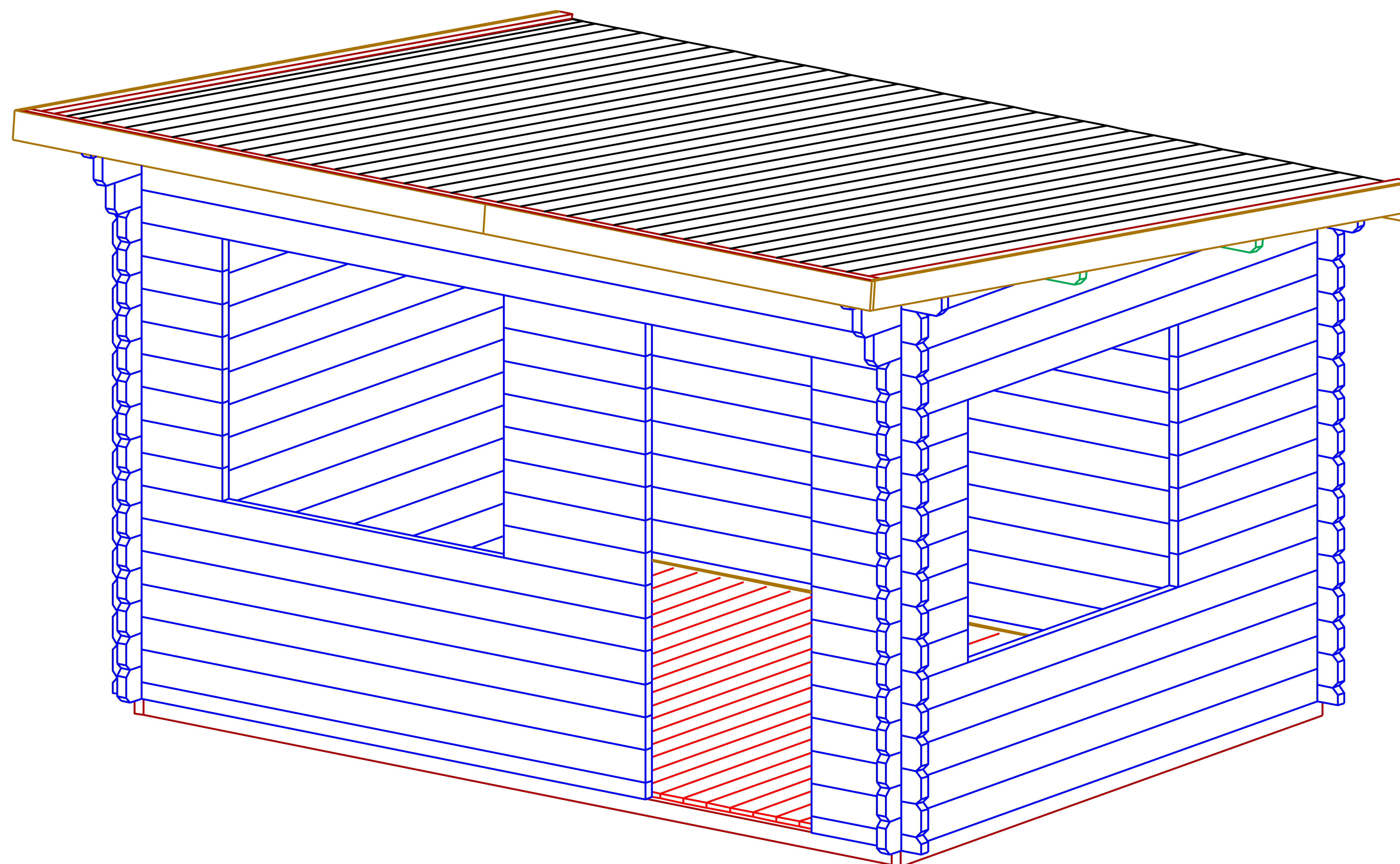
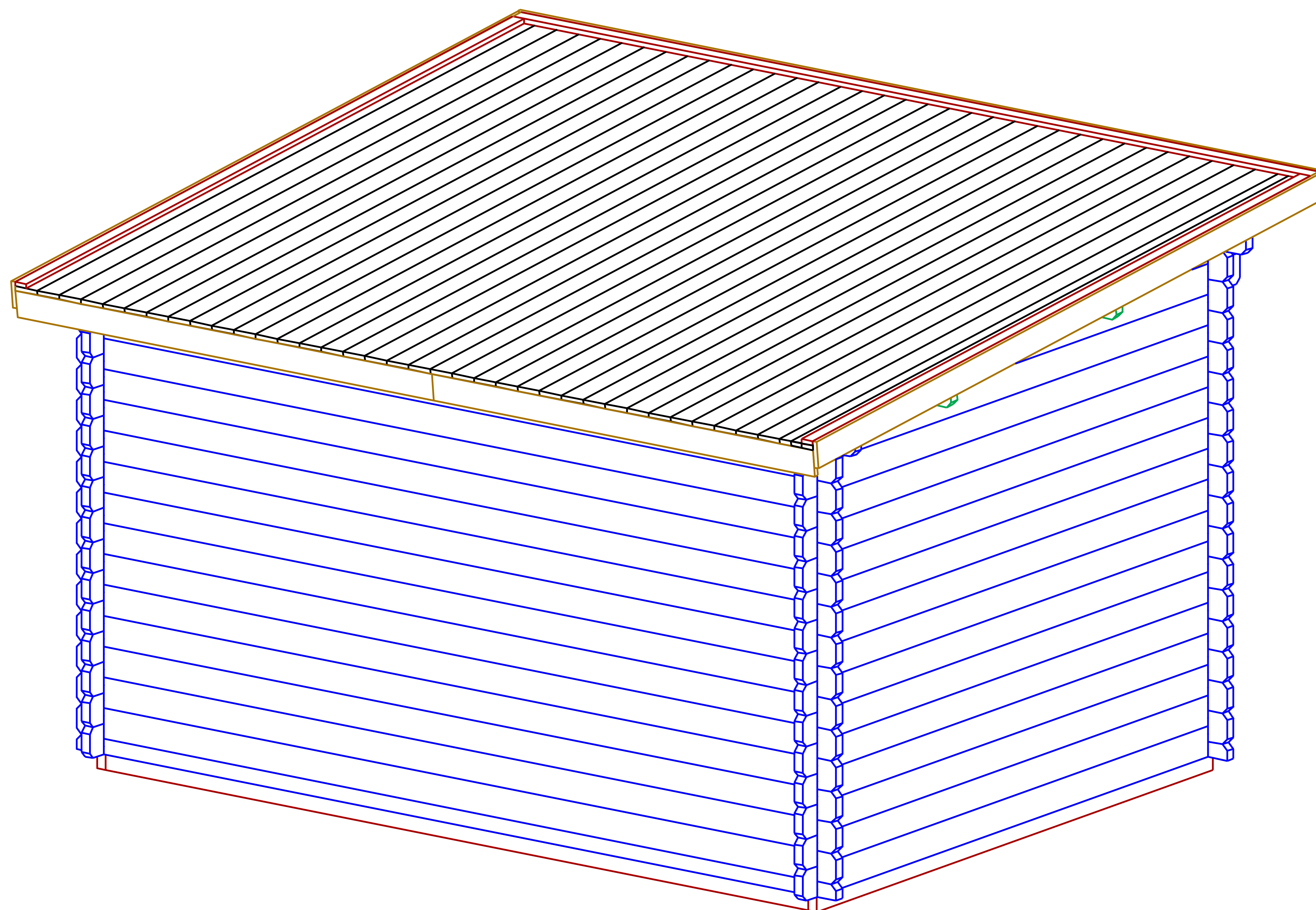


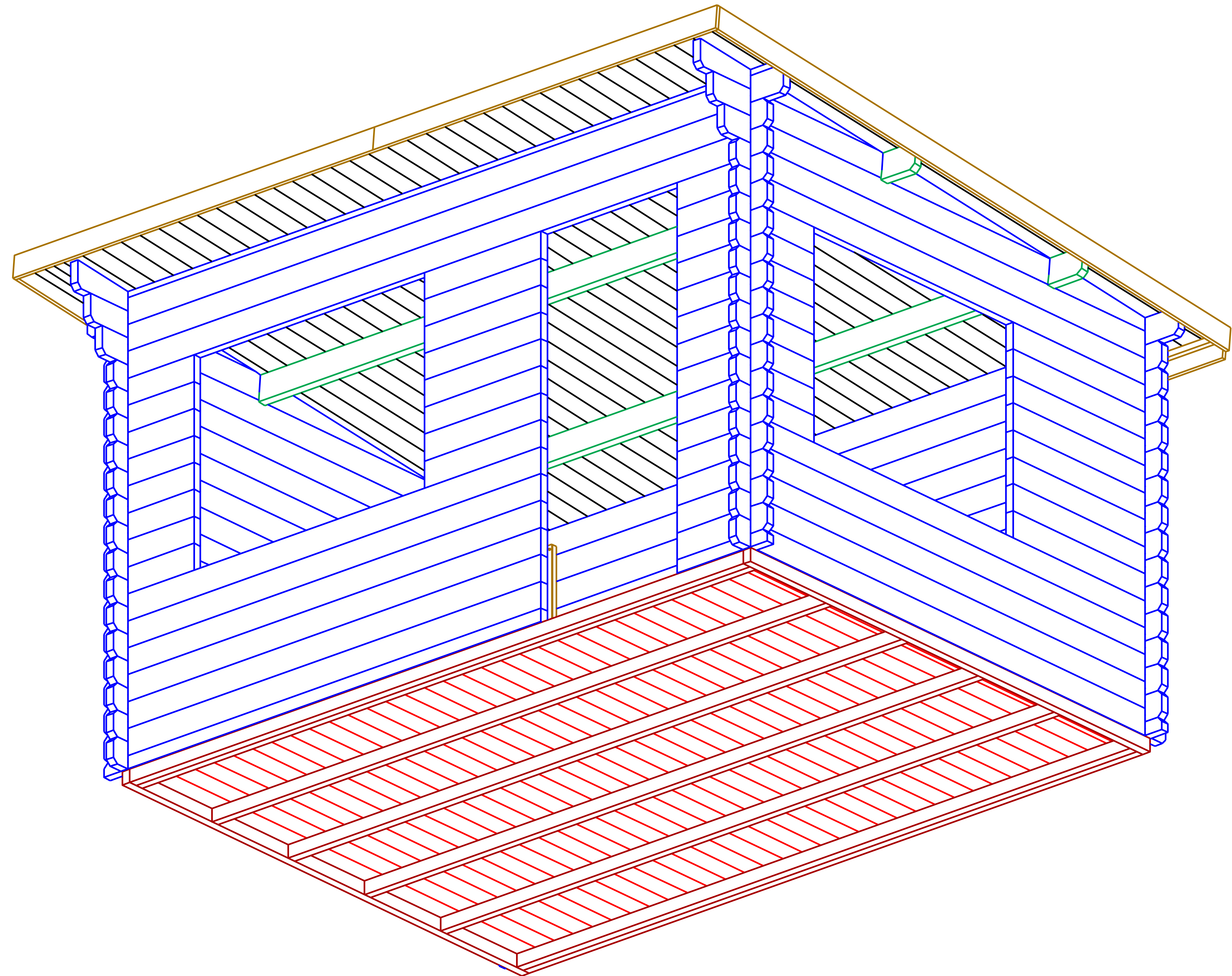
Dreux 4x3 toit plat



Dreux 4x3 toit plat



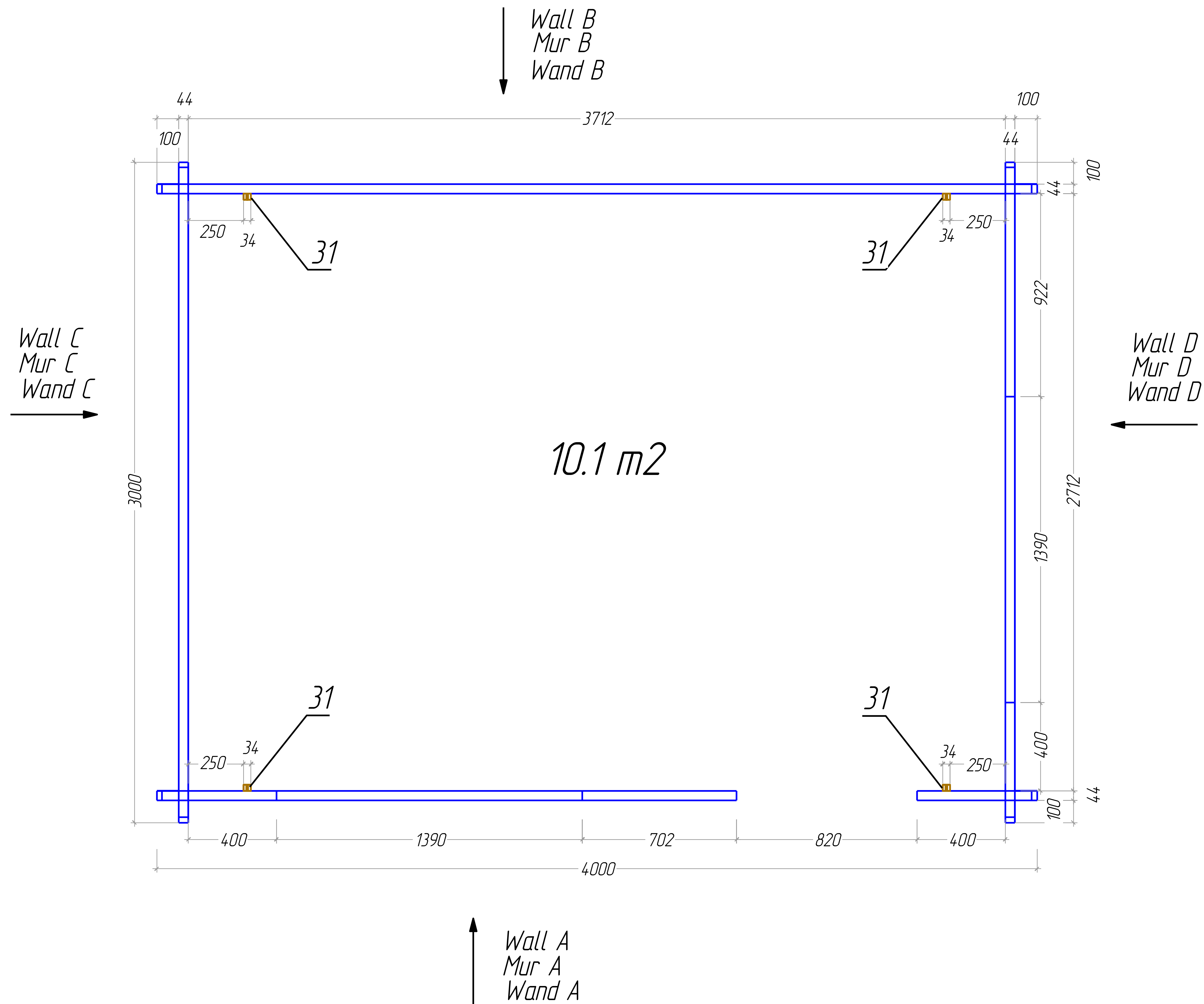
Dreux 4x3 toit plat



M 1:30

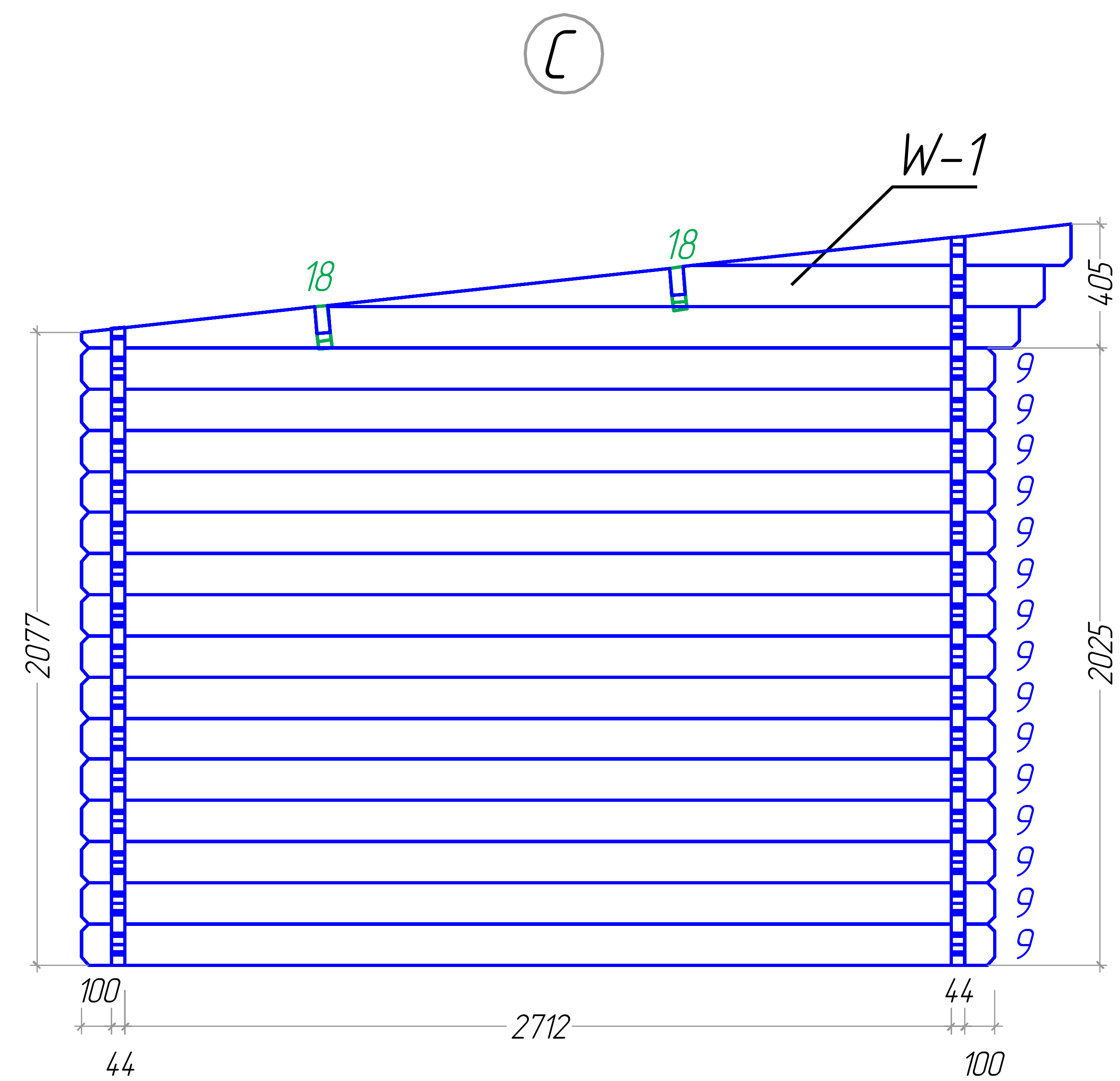
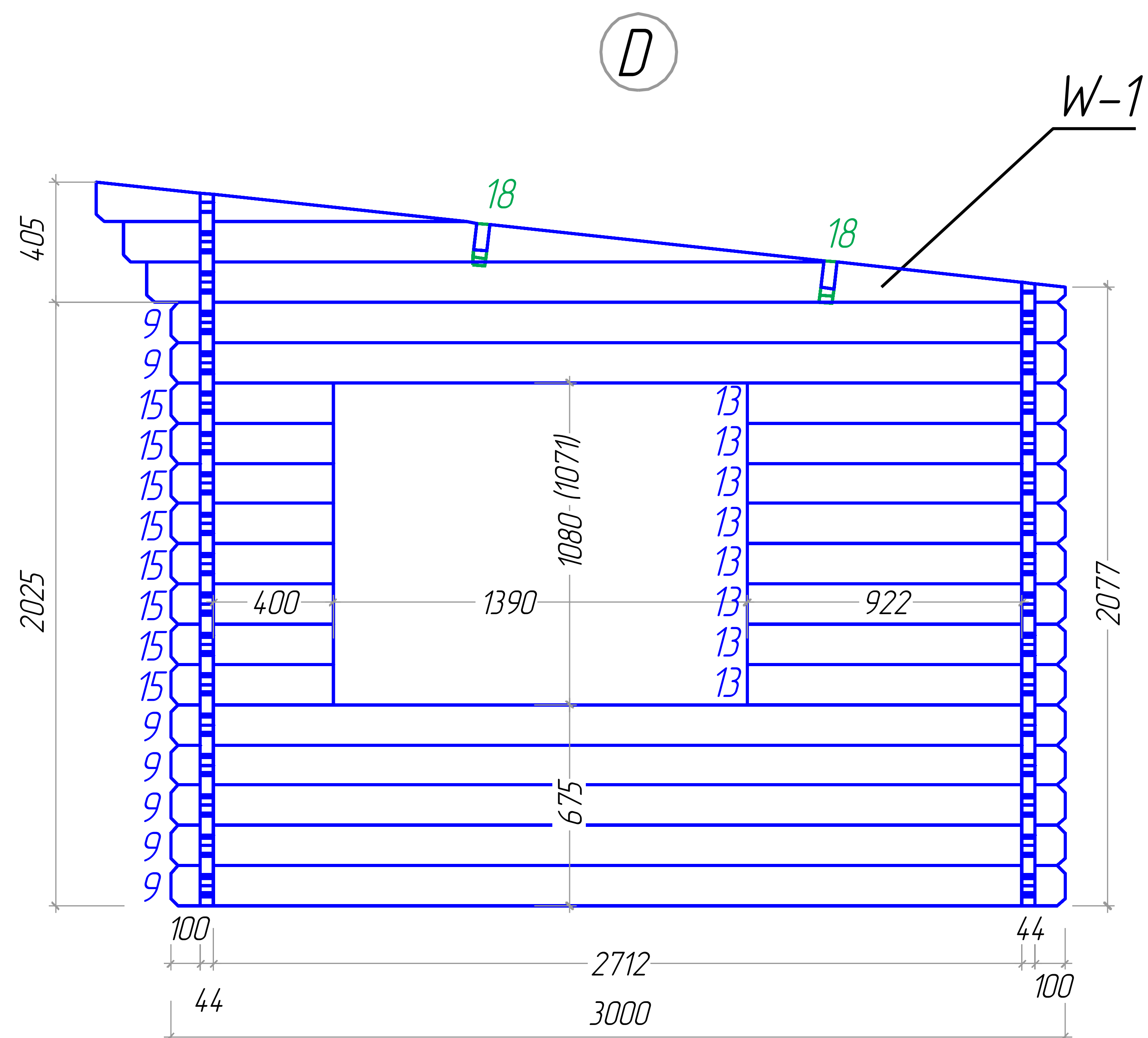
Dreux 4x3 toit plat

Plan



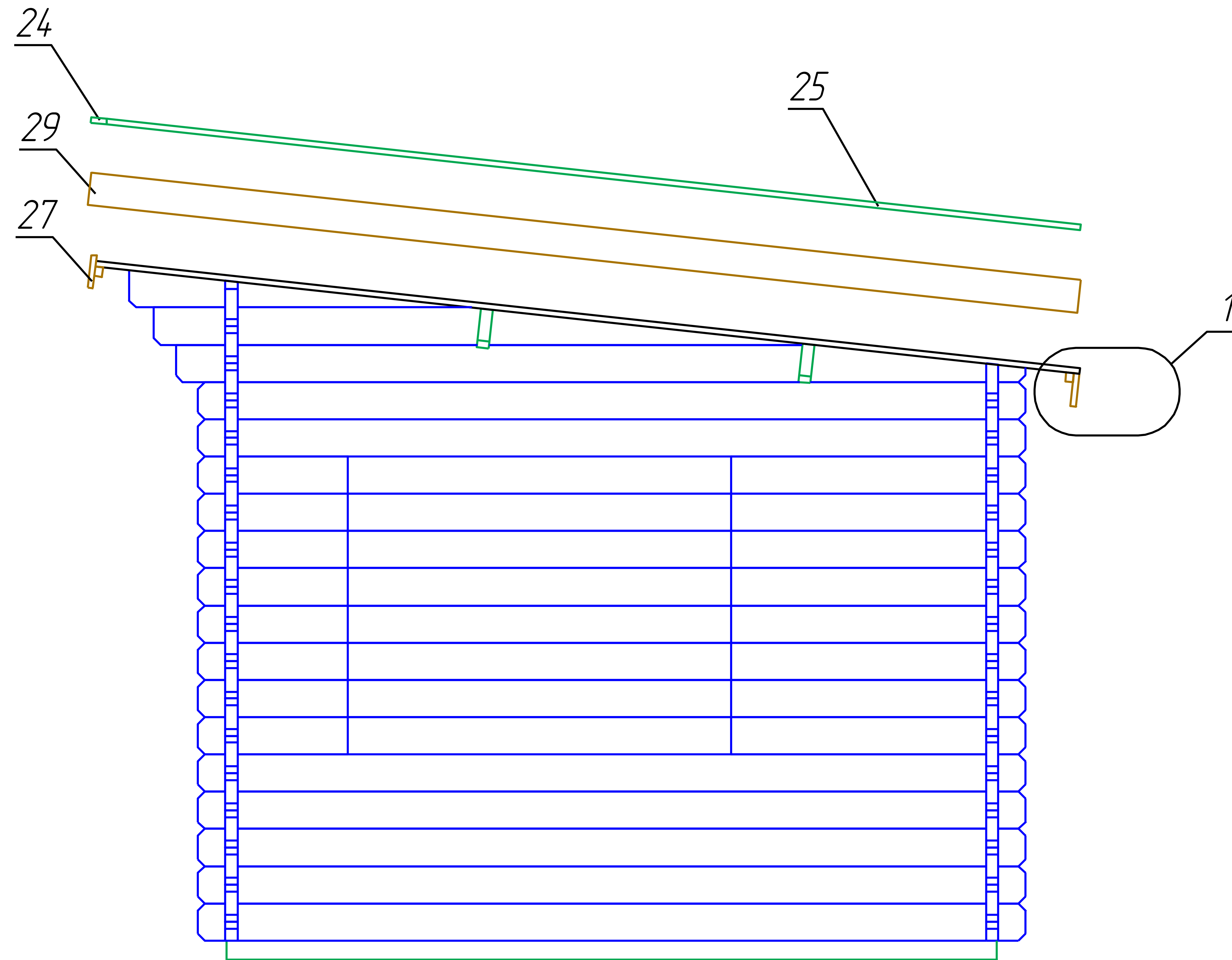
M 1:40

Dreux 4x3 toit plat

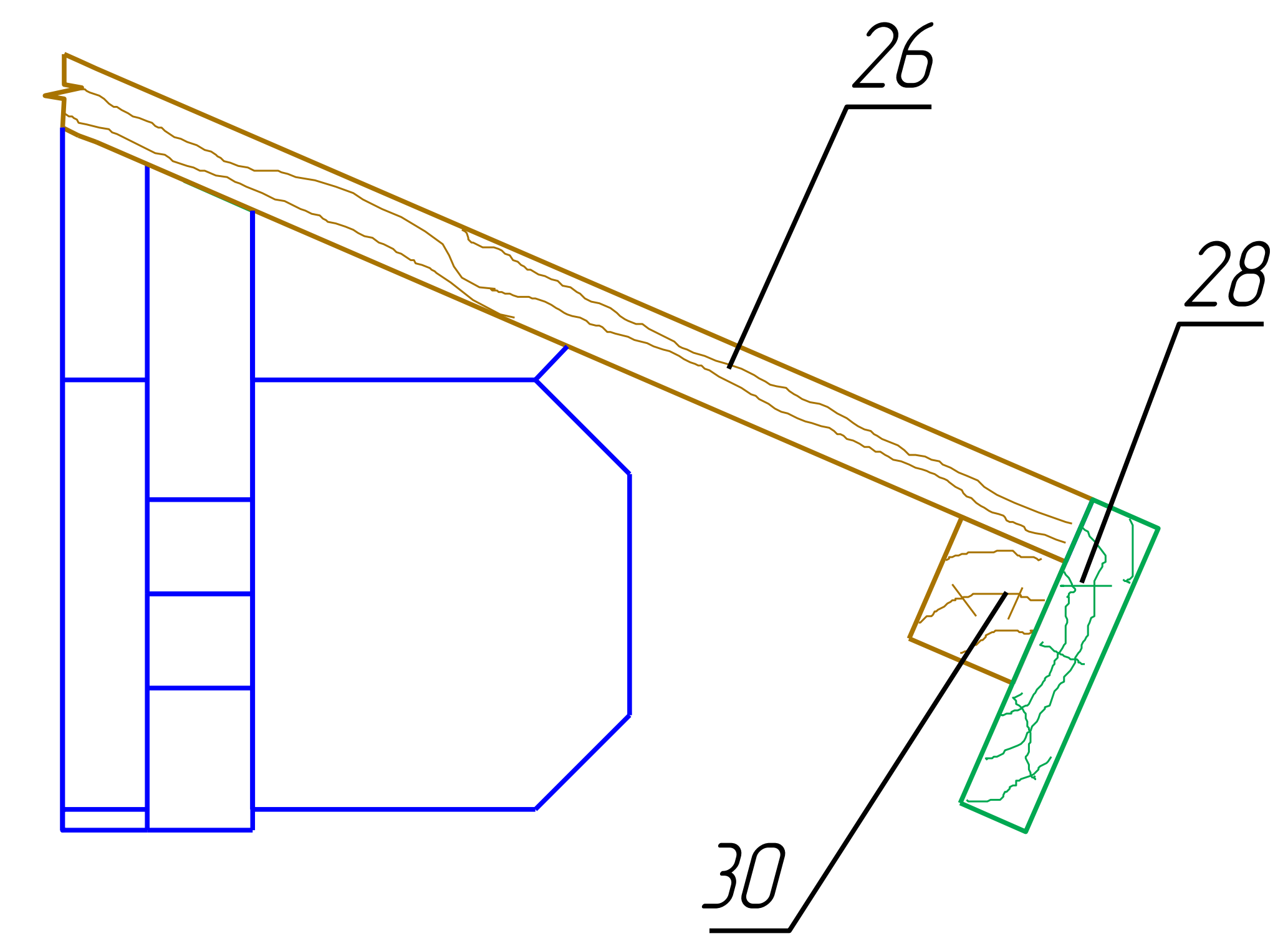


M 1:30

Dreux 4x3 toit plat

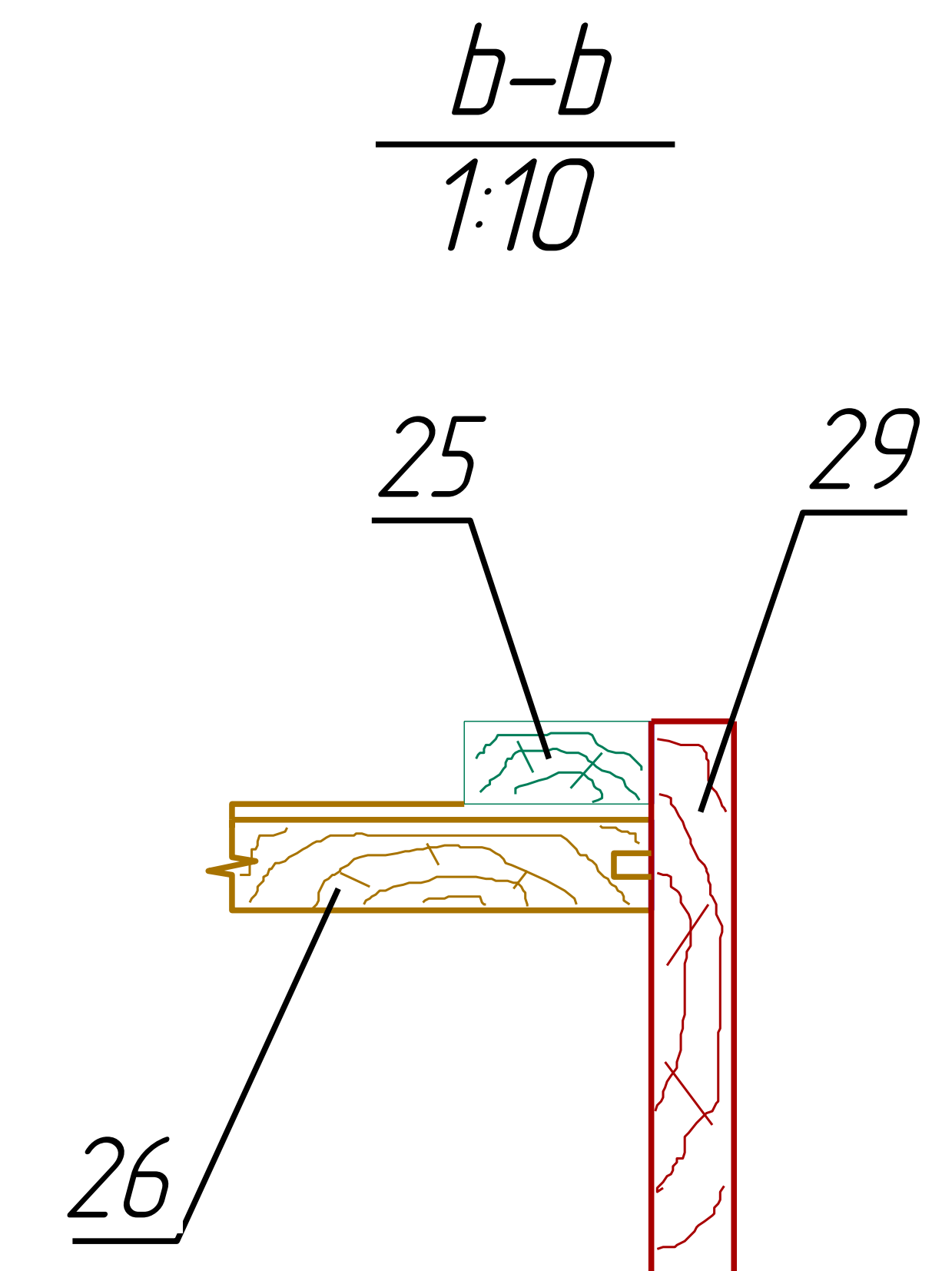
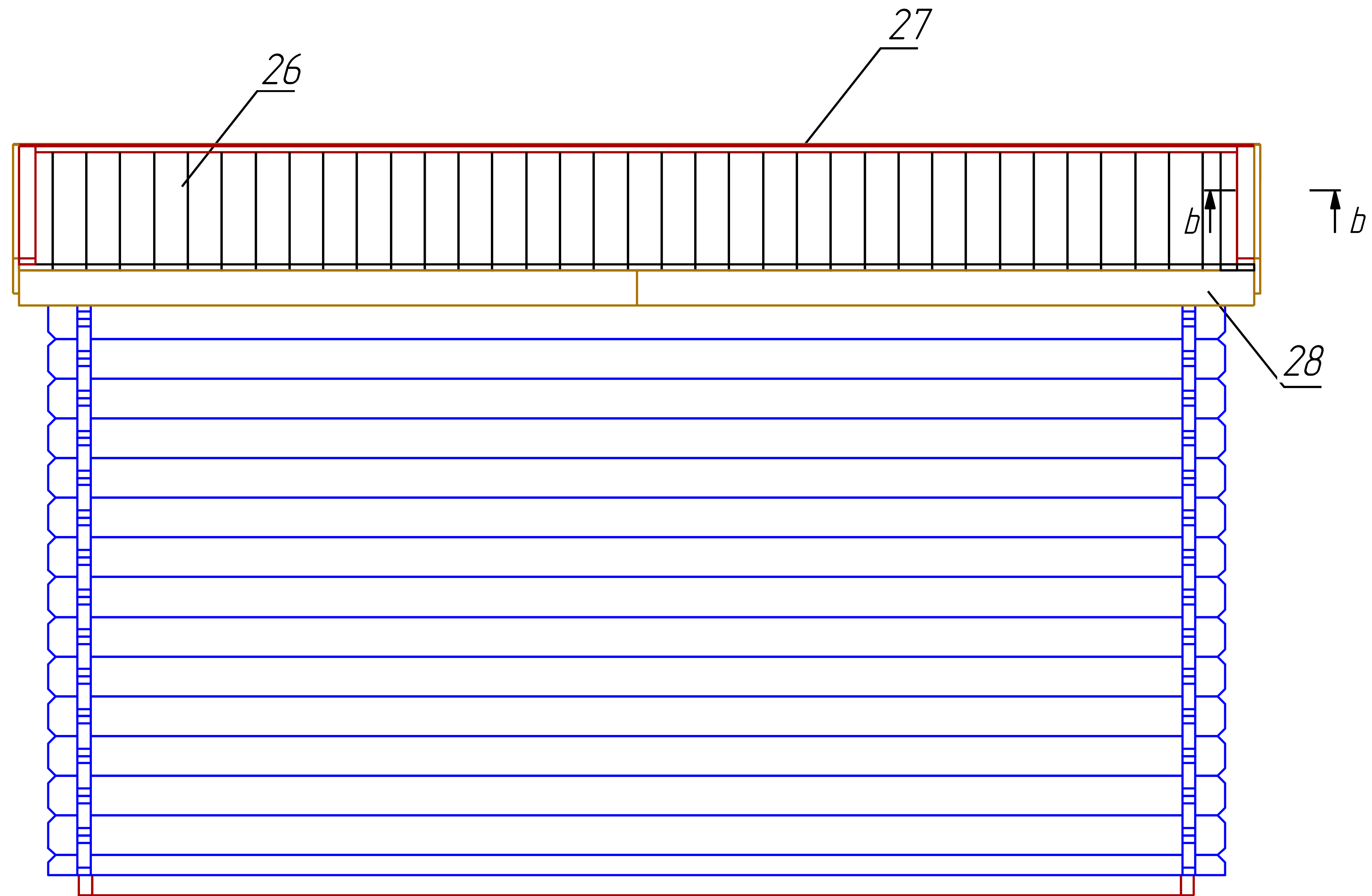


$\frac{1}{M 1:5}$



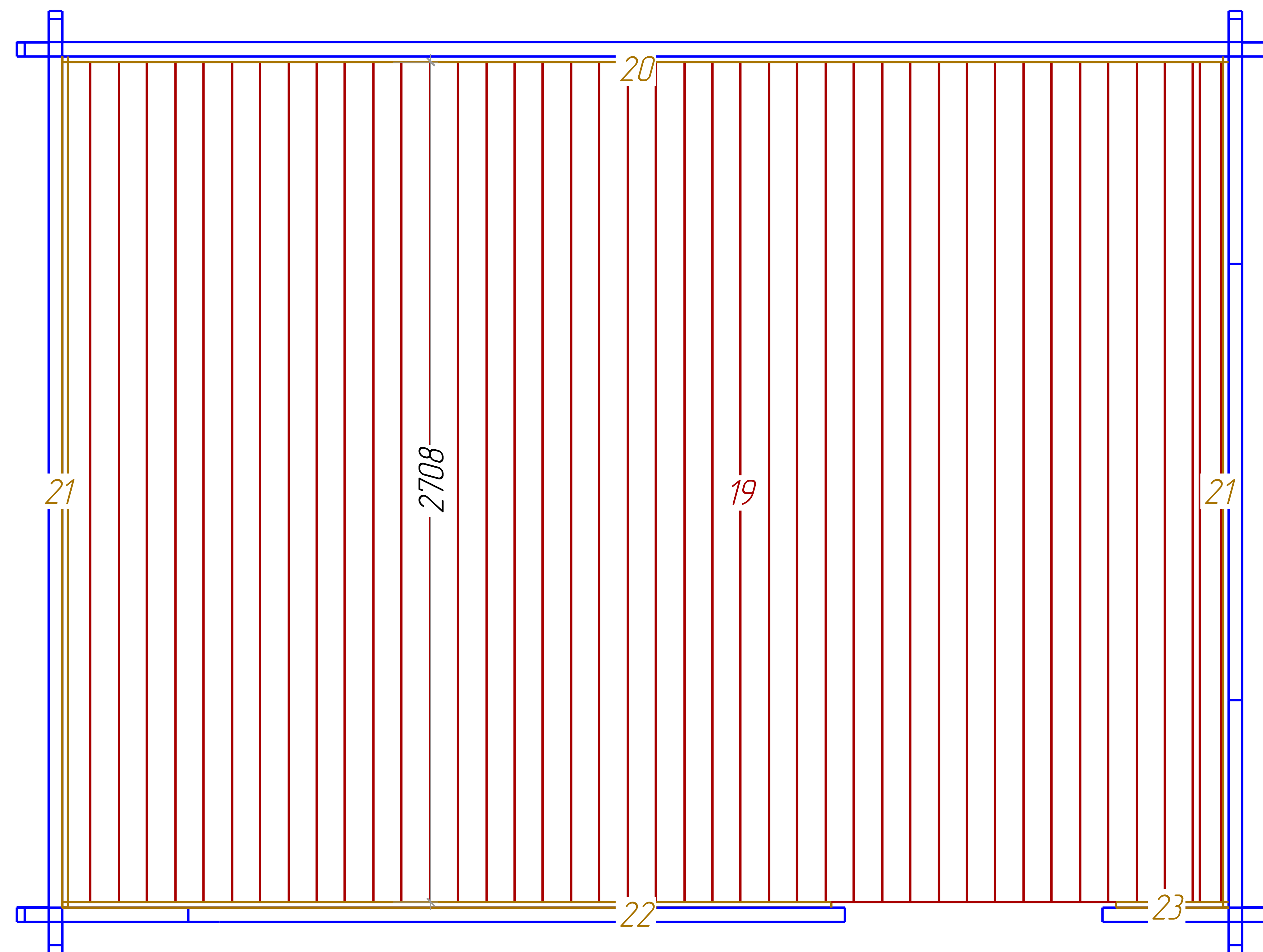
M 1:30

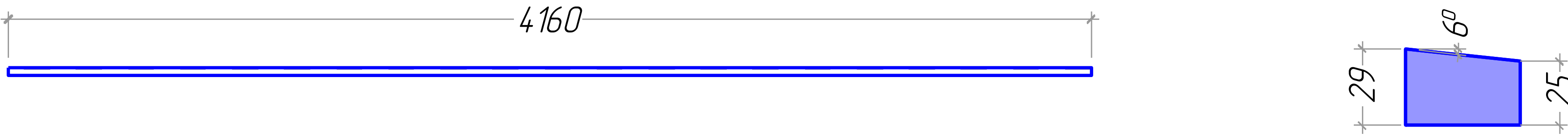
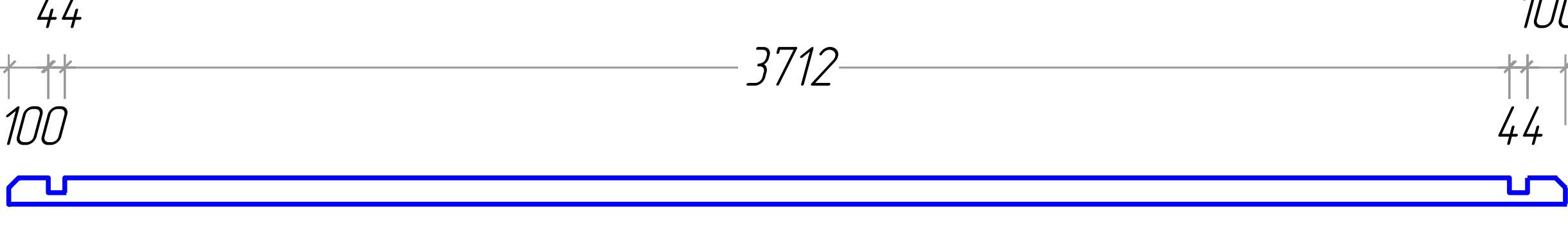
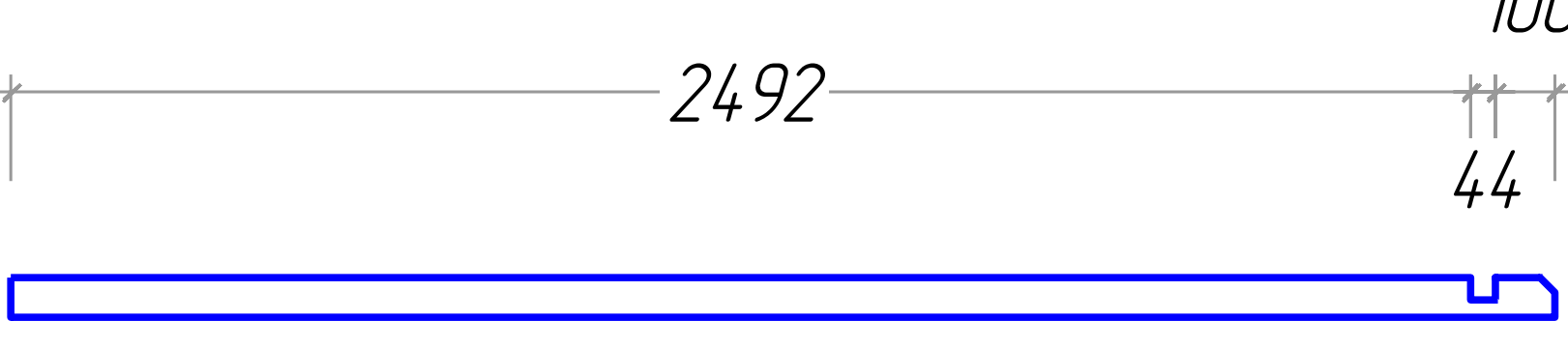
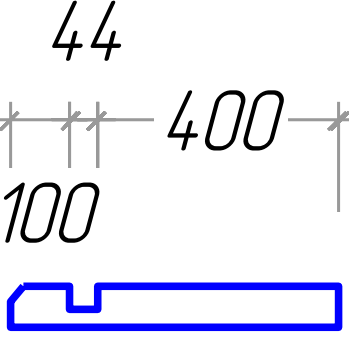
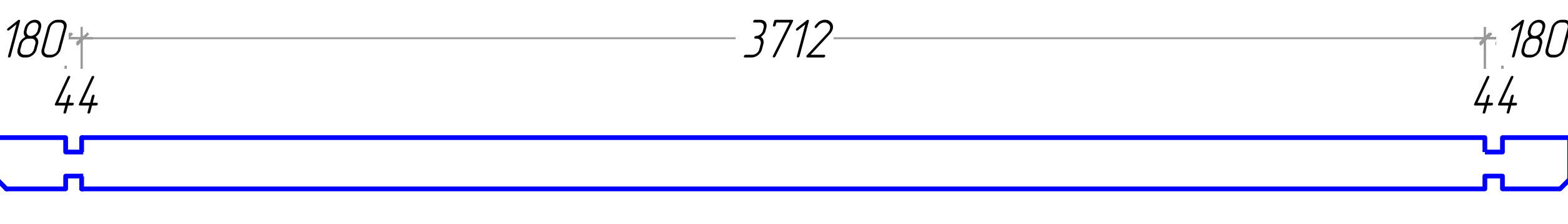
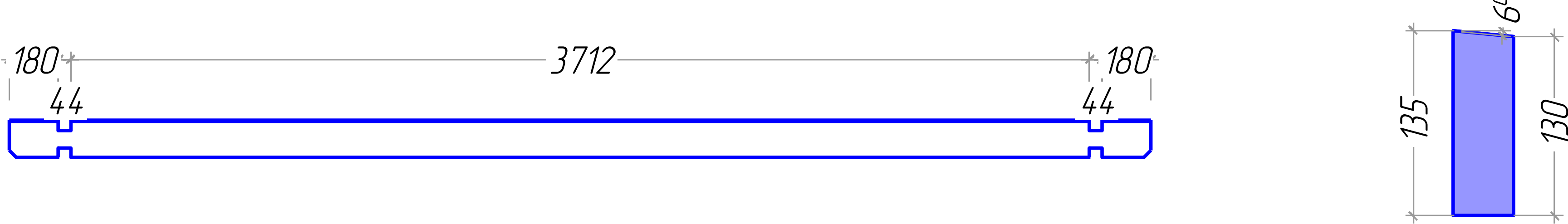
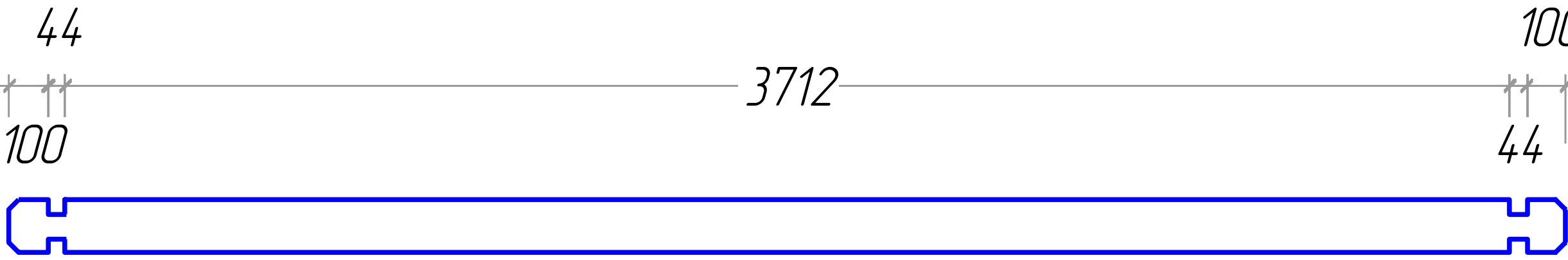
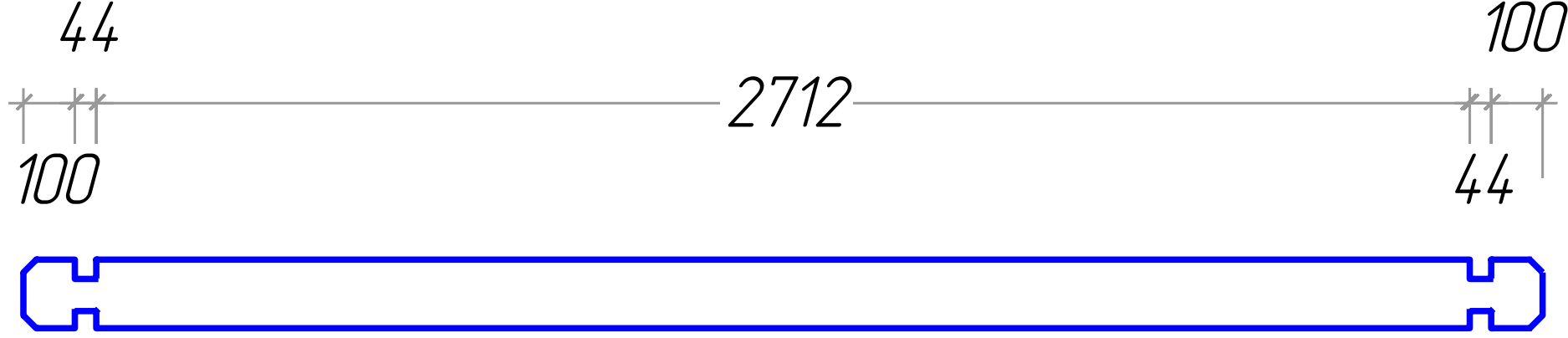
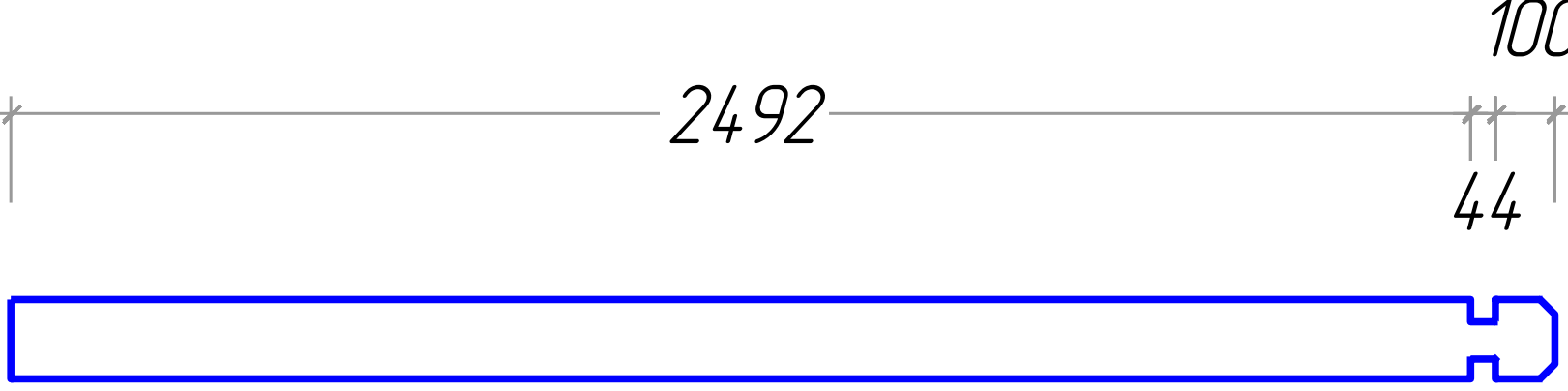
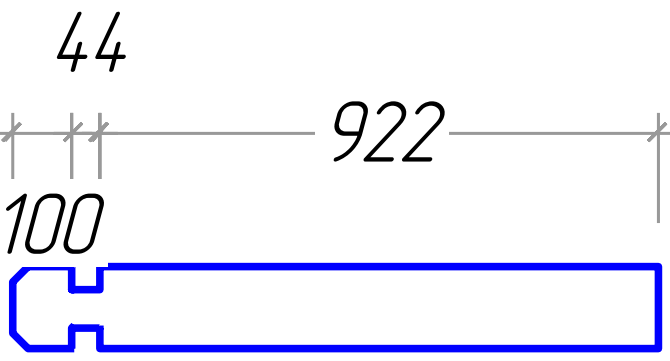
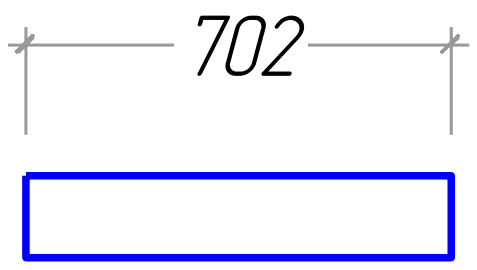
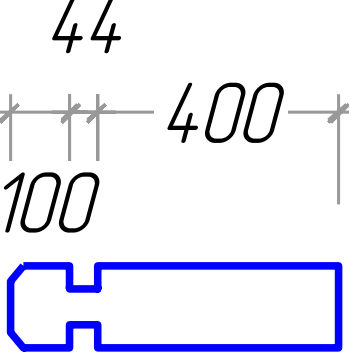

Dreux 4x3 toit plat



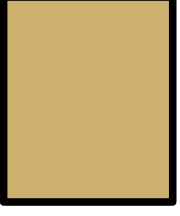

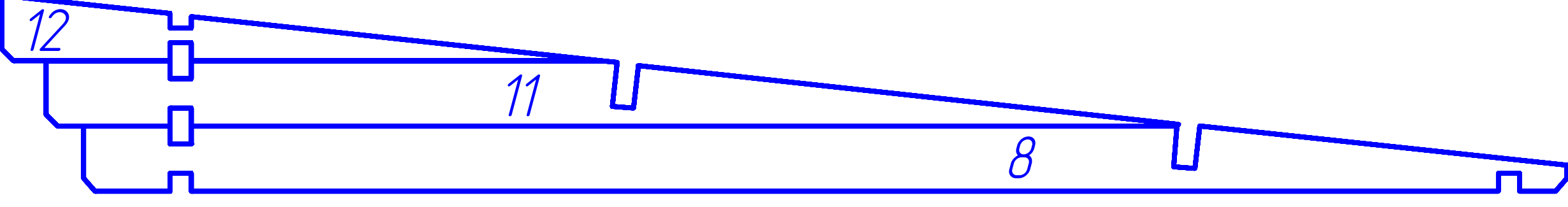
Dreux 4x3 toit plat

*Plan of the floor board
Plan der Furbodenbretter
Le plan des plaches du plancher*



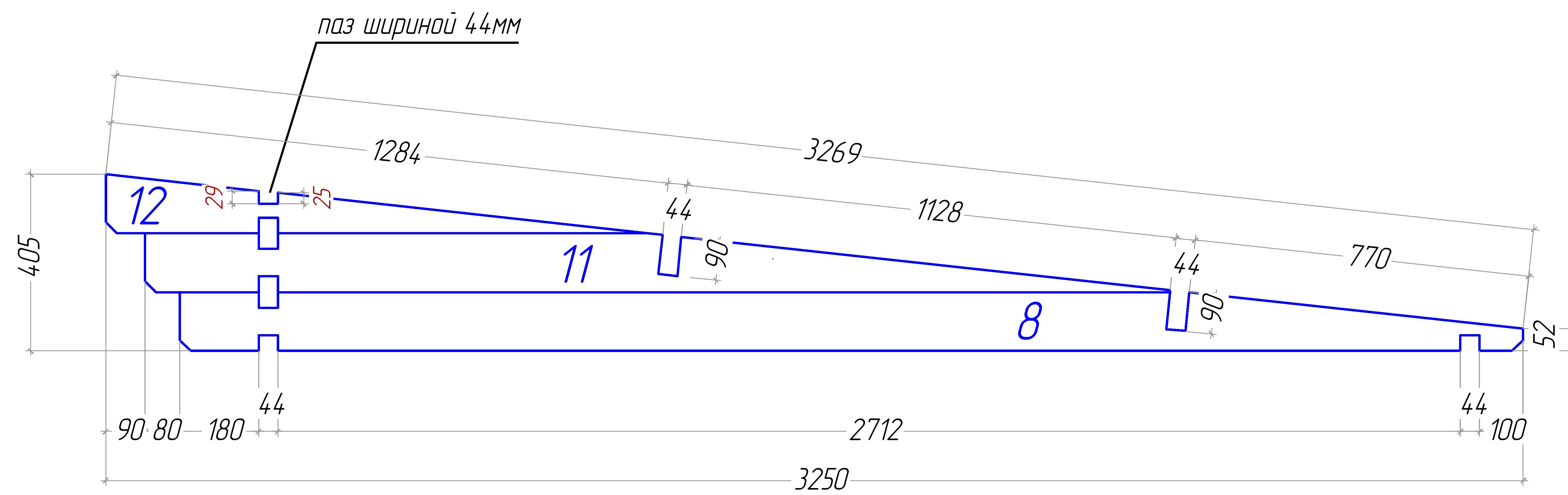
N°	<p style="text-align: center;"><i>Drawing Dreux 4x3 toit plat</i></p> <p style="text-align: right; font-size: small;">M150</p>	Nr.	Profile (mm)	Lenght (mm)
1		1	44x29,5	4160mm
2		1	44x67,5	4000mm
3		1	44x67,5	2636mm
4		1	44x67,5	544mm
5		1	44x135	4160mm
6		1	44x135	4160mm
7		16+1	44x135	4000mm
9		22	44x135	3000mm
10		6	44x135	2636mm
13		8	44x135	1066mm
14		8	44x135	702mm
15		30	44x135	544mm
16	<p>Foundation Fundament Solive</p> 	8	44x68	3702mm

Nº	<i>Drawing Dreux 4x3 toit plat</i> M1:50	Nr.	Profile (mm)	Lenght (mm)
17	Foundation Fundament Solive 	2	44x68	2790mm
18	Roof beam. Dachbalken. Panne 	2	44x140	4160mm
19	Floor boards Fu ssboden Lame de plancher 	33+1	20x115	2708mm
20	Floor edge trim Fu bleisten Plinthe plancher 	1	20x18	3712mm
21	Floor edge trim Fu bleisten Plinthe plancher 	2	20x18	2712mm
22	Floor edge trim Fu bleisten Plinthe plancher 	1	20x18	2449mm
23	Floor edge trim Fu bleisten Plinthe plancher 	1	20x18	357mm
24	Roofing felt fillet Giebelabschlussbrett Latte de finition couverture 	1	20x58	4160mm
25	Roofing felt fillet Giebelabschlussbrett Latte de finition couverture 	2	20x58	3530mm
26	Roof boards. Dachbretter Volige 	37+1	20x115	3588mm
27	Fascia board Giebelblende Planch de rive facade 	2	20x120	2100mm
28	Fascia board Giebelblende Planch de rive facade 	2	20x120	2080mm
29	Roof side boards Traufenbrett Planche de rive 	2	20x120	3588mm

N°	<i>Drawing Dreux 4x3 toit plat</i> M1:50	Nr.	Profile (mm)	Lenght (mm)
30	Roof edge reinforcement Traufenleiste Tasseau 	2	28x34	4160mm
31	Storm protection 	4	28x34	1900mm
W-1		2		
	Door Tur La porte <div style="text-align: center; margin-top: 10px;"><i>1958x820 mm</i></div>	1		
	Window Fenetre Fenster <div style="text-align: center; margin-top: 10px;"><i>1080x1390 mm</i></div>	2		

Drawing Dreux 4x3 toit plat

W-1
M 1:20



Storm protection

